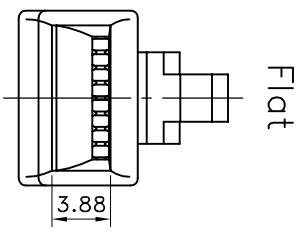
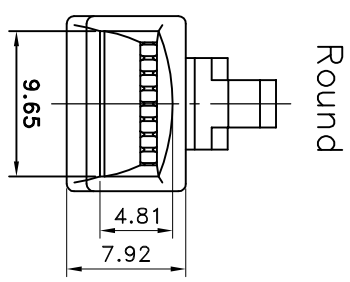
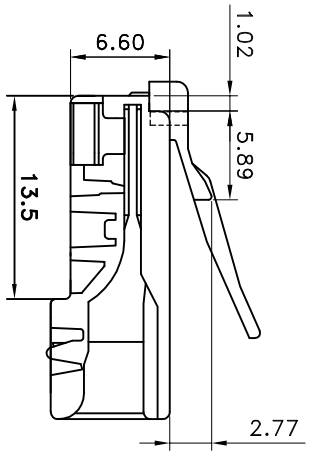
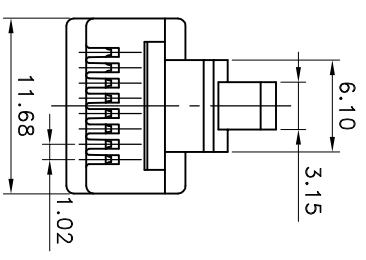
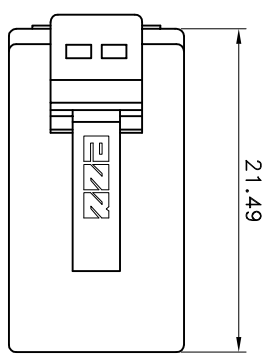


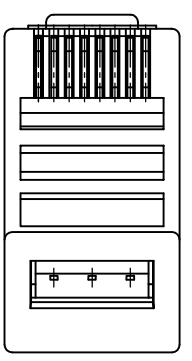
REV	DATE	MODIFICATION	修改内容	修改
	2019/04/29			DRAWN



Round

Flat

- SPECIFICATIONS**
- 1. ELECTRICAL:**
 UL APPLICATIONS: 250 VOLTS AC MAX. AT 2 AMPS.
 DIELECTRIC WITHSTANDING VOLTAGE: 1000 VOLTS AC. 60 SEC.
 INSULATION RESISTANCE: 500 MO.
 CONTACT RESISTANCE: 20mΩ MAX.
 OPERATING AMBIENT TEMPERATURE: -20°C - 75°C.
- 2. MECHANICAL:**
 STRAIN RELIEF: 200 POUND MIN.
 DURABILITY: 1200 MATING CYCLES.
- 3. MATERIAL:**
 HOUSING: POLYCARBONATE, UL94V-0 OR UL94V-2.
 COLOR: TRANSPARENT OR OTHER COLOR ARE AVAILABLE.
 CONTACT BLADE: COPPER ALLOY.
 GOLD PLATING: 3μ"-50μ", ARE AVAILABLE.
- 4. USAGE:**
 SUITABLE FOR STRANDED & SOLID WIRE 23AWG - 26 AWG.
 (It can be used for the wire OD from Ø0.96 ~ Ø1.02)



BLADE:	E	EB	Y	YB	Z	A	AE	AB	EC
Drawing									
Mark			✓						
GOLD PLATING	3Mu"	3u"	6u"	15u"	30u"	50u"			
Mark						✓		CABLE TYPE Mark	ROUND ROUND FLAT



DIMENSION IN mm (Inch)
 TOLERANCE UNLESS OTHERWISE SPECIFIED

X±0.20	.X°±5°
.XX±0.10	.XX°±2°

审核 APPROVAL	核对 CHECKED
-------------	------------

材质 MATERIAL	图号 Dwg NO.
PC	PLUG-060-EZZ-0001

名称 TITLE
01019 UTP5e P88RY50V2 EZZ

比例 SCALE	张数 SHEET
2/1	1/1
画法 PROJ.	更改 REV.
	A