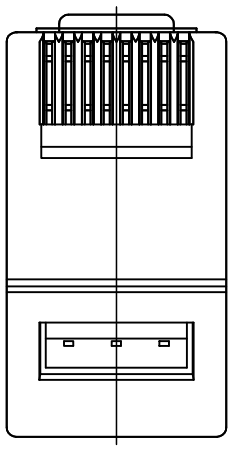
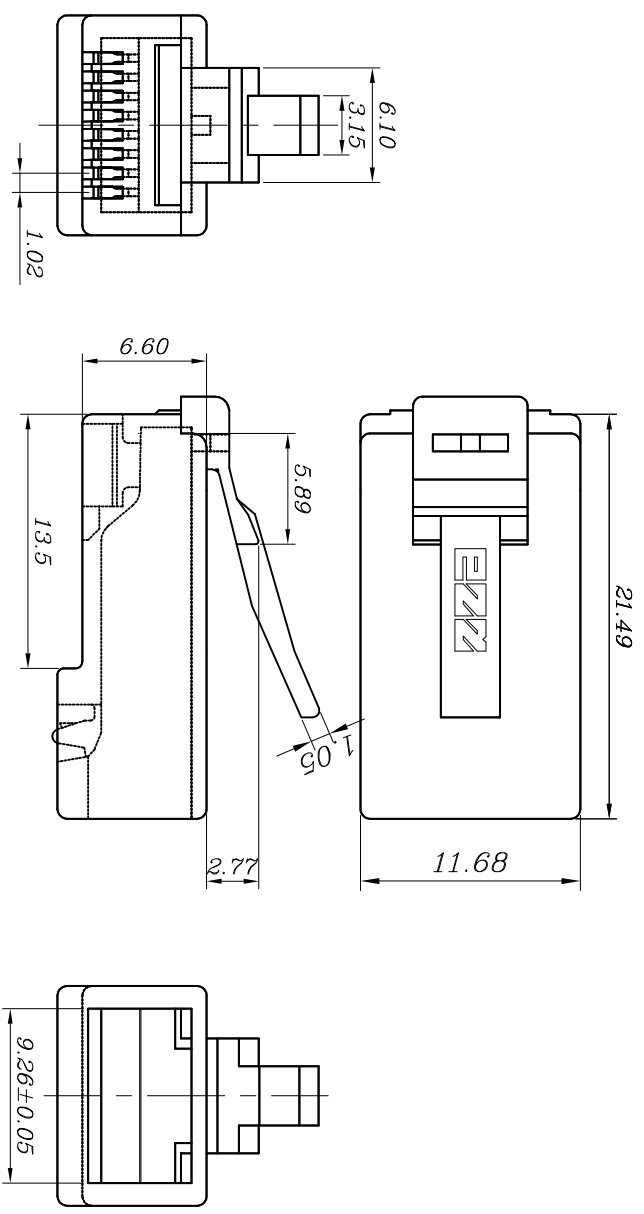


REV	DATE	MODIFICATION	DRAWN
	2013/07/02		A

**SPECIFICATIONS**

1. ELECTRICAL:  
UL APPLICATIONS: 250 VOLTS AC MAX. AT 2 AMPS.  
DIELECTRIC WITHSTANDING VOLTAGE: 1000 VOLTS AC. 60 SEC.  
INSULATION RESISTANCE: 500 MΩ.  
CONTACT RESISTANCE: 20mΩ MAX.  
OPERATING AMBIENT TEMPERATURE: -20°C - 75°C.
2. MECHANICAL:  
STRAIN RELIEF: 20POUND MIN.  
DURABILITY: 1200 MATING CYCLES.
3. MATERIAL:  
HOUSING: POLYCARBONATE, UL94V0 OR UL94V2.  
COLOR: TRANSPARENT OR OTHER COLOR ARE AVAILABLE.  
CONTACT BLADE: COPPER ALLOY.  
GOLD PLATING: 3u"-50u", ARE AVAILABLE.
4. USAGE:  
SUITABLE FOR STRANDED & SOLID WIRE 23AWG - 26 AWG.



BLADE:	E	EB	Y	YB	Z	A	AE	AB	EC
Drawing									
Mark					✓				
GOLD PLATING	3Mu"	3u"	6u"	15u"	30u"	50u"			
Mark						✓	Mark		
							CABLE TYPE	ROUND	FLAT
							Mark	✓	



DIMENSION IN mm (Inch)  
TOLERANCE UNLESS OTHERWISE SPECIFIED

X ± 0.20	.X ± .5°
.XX ± 0.10	.XX ± 2°

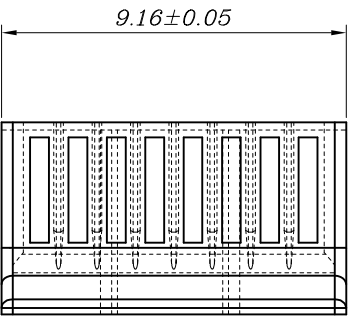
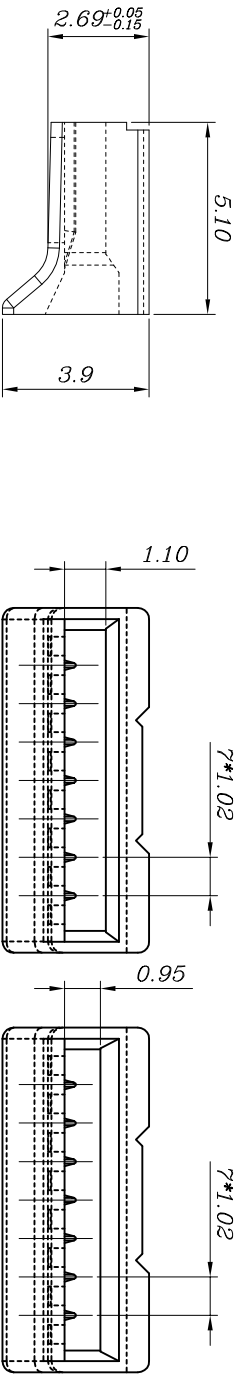
审核 APPROVAL  
核对 CHECKED

材 质 MATERIAL	图 号 DWG NO.
PC	PLUG-366-EZZ-0001
名称 TITLE	张数 SHEET
01035 UTP6A C6RH5Z50V2IL EZZ	1/1

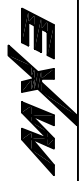
制 图 DRAWN	比例 SCALE	角 法 PROJ.	更 改 REV
Zach	5/2		A

ST-DR-009A

更改 REV	日期 DATE	设计 MODIFICATION	内容 DRAWN
	2013/11/06		



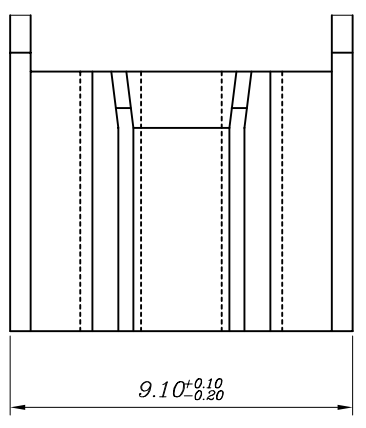
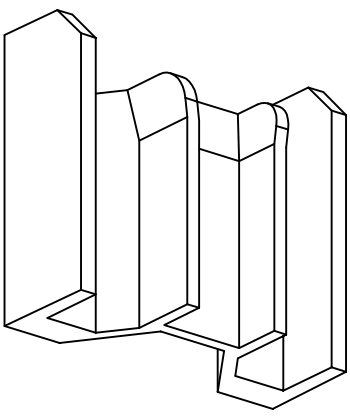
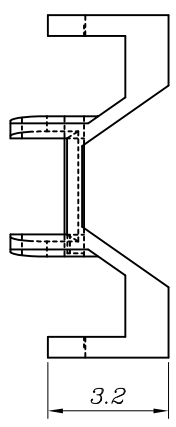
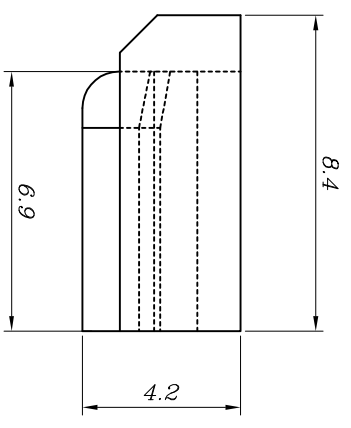
(It can be used for the wire OD from  $\varnothing 0.96 \sim \varnothing 1.02$ )



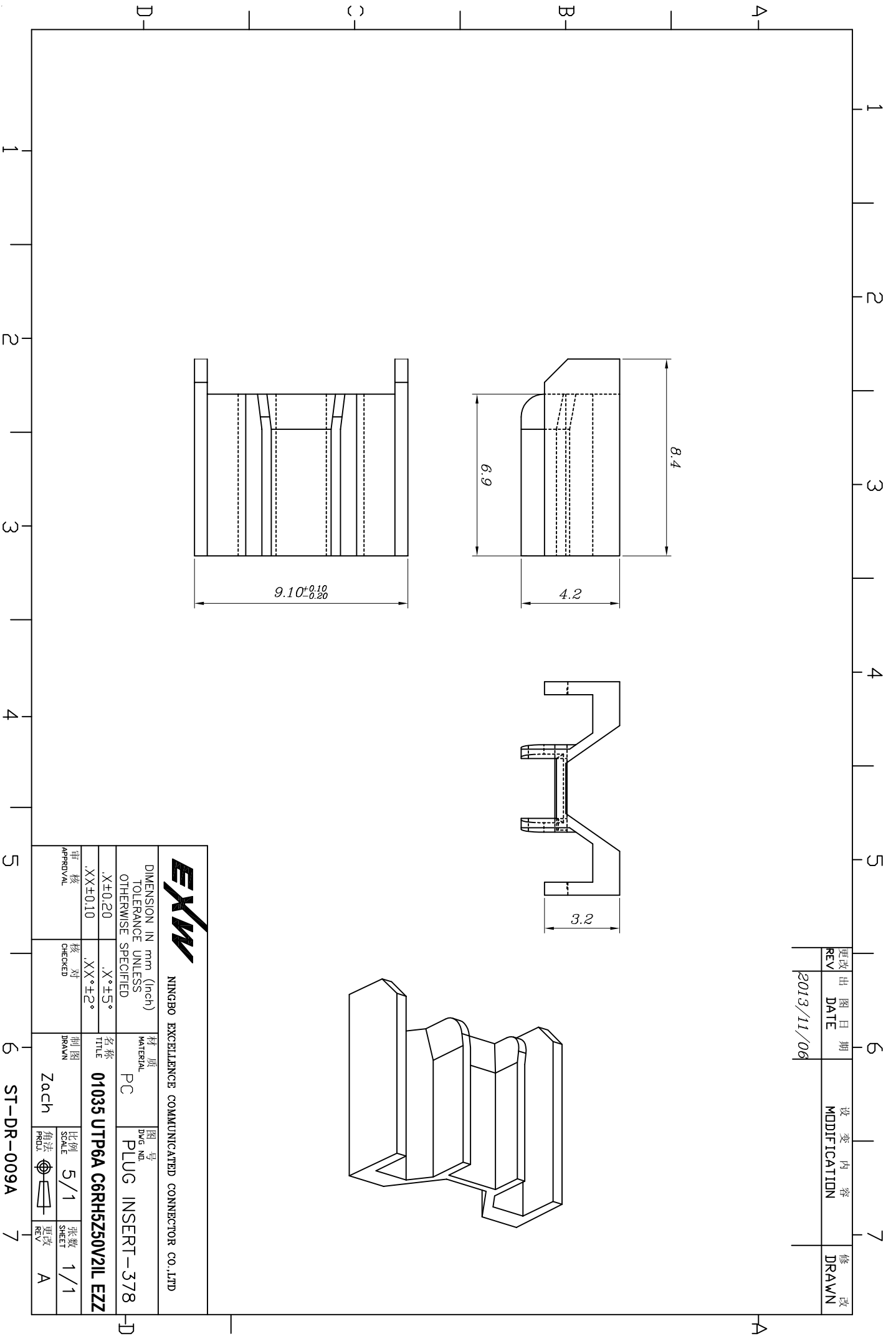
DIMENSION IN mm (Inch) TOLERANCE UNLESS OTHERWISE SPECIFIED		材 质 MATERIAL	图 号 Dwg NO.
X ± 0.20	.X ± 5°	PC	PLUG INSERT-377
XX ± 0.10	.XX ± 2°	名称 TITLE	01035 UTP6A C6RH5Z50V2IL EZZ
审核 APPROVAL	核对 CHECKED	制图 DRAWN	比例 SCALE
沈红波	钟均江	Zach	5/1
		角法 PROJ	张数 SHEET
			1/1
		更改 REV	A

ST-DR-009A

更改 REV	出图日期 DATE	设计内容 MODIFICATION	修改 DRAWN
	2013/11/06		



<b>EXW</b>		NINGBO EXCELLENCE COMMUNICATED CONNECTOR CO.,LTD	
DIMENSION IN mm (Inch)		材 质 MATERIAL	图 号 Dwg NO.
TOLERANCE UNLESS OTHERWISE SPECIFIED		PC	PLUG INSERT-378
X $\pm 0.20$	X $\pm 5^\circ$	名称 TITLE	01035 UTP6A C6RH5Z50V2IL EZZ
.XX $\pm 0.10$	.XX $\pm 2^\circ$	制 图 DRAWN	Zach
审 核 APPROVAL	核 对 CHECKED	比 例 SCALE	5/1
		角 法 PROJ	张 数 SHEET
			1/1
		更 改 REV	A



ST-DR-009A