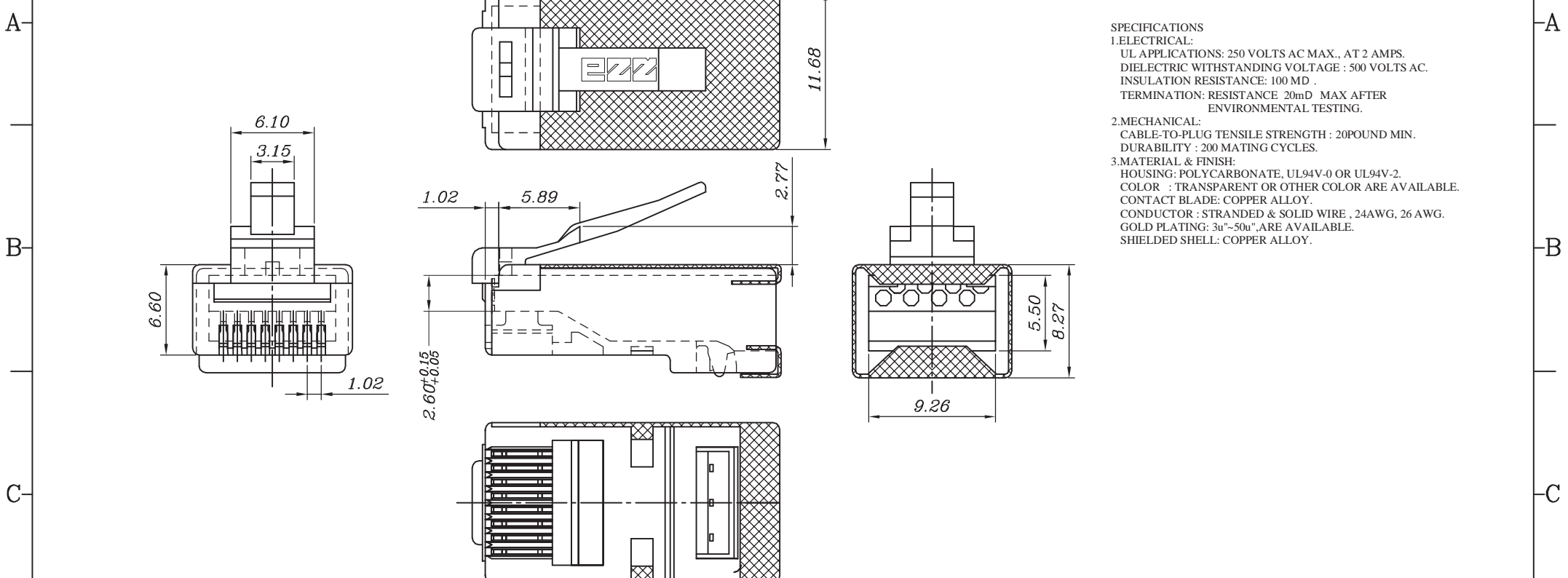


1 2 3 4 5 6 7

|         |              |                      |         |
|---------|--------------|----------------------|---------|
| & ' REV | H % I J DATE | D E F G MODIFICATION | K DRAWN |
|         | 2013/11/19   |                      |         |



**SPECIFICATIONS**

1. ELECTRICAL:  
 UL APPLICATIONS: 250 VOLTS AC MAX., AT 2 AMPS.  
 DIELECTRIC WITHSTANDING VOLTAGE : 500 VOLTS AC.  
 INSULATION RESISTANCE: 100 MD .  
 TERMINATION: RESISTANCE 20mD MAX AFTER ENVIRONMENTAL TESTING.

2. MECHANICAL:  
 CABLE-TO-PLUG TENSILE STRENGTH : 20 POUND MIN.  
 DURABILITY : 200 MATING CYCLES.

3. MATERIAL & FINISH:  
 HOUSING: POLYCARBONATE, UL94V-0 OR UL94V-2.  
 COLOR : TRANSPARENT OR OTHER COLOR ARE AVAILABLE.  
 CONTACT BLADE: COPPER ALLOY.  
 CONDUCTOR : STRANDED & SOLID WIRE , 24AWG, 26 AWG.  
 GOLD PLATING: 3u"-50u", ARE AVAILABLE.  
 SHIELDED SHELL: COPPER ALLOY.

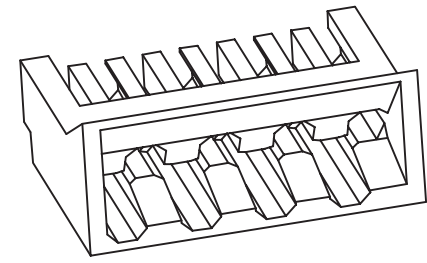
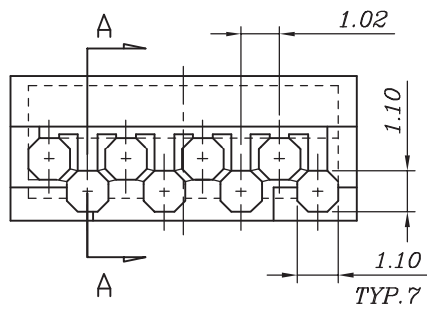
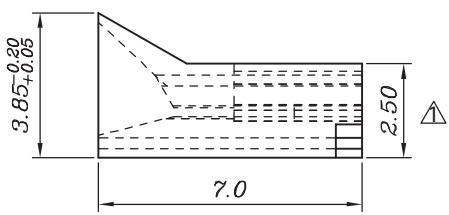
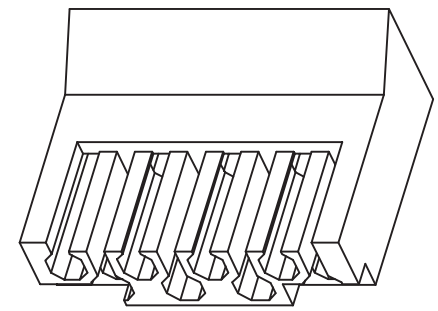
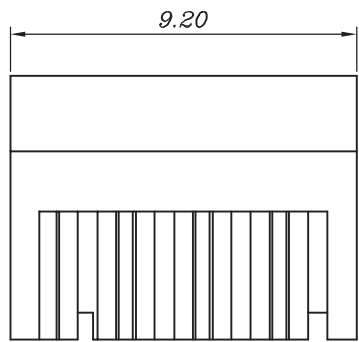
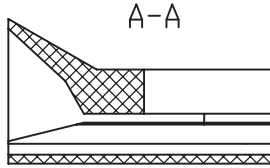
ITEM: 01038

|              |      |     |     |      |      |      |            |       |      |
|--------------|------|-----|-----|------|------|------|------------|-------|------|
| BLADE:       | E    | AB  | EB  | Y    | Z    | A    | AL         | ZL    |      |
| Drawing      |      |     |     |      |      |      |            |       |      |
| Mark         |      |     | ✓   |      |      | ✓    |            |       |      |
| GOLD PLATING | 3Mu" | 3u" | 6u" | 15u" | 30u" | 50u" | CABLE TYPE | ROUND | FLAT |
| Mark         |      |     |     |      |      | ✓    | Mark       | ✓     |      |

|  |         |                       |                            |
|--|---------|-----------------------|----------------------------|
| DIMENSION IN mm (Inch)<br>TOLERANCE UNLESS OTHERWISE SPECIFIED |         | MATERIAL<br>PC        | DWG NO.<br>PLUG-054-EZZ    |
| .X±0.20  | .X°±5°  | TITLE<br><b>01038</b> |                            |
| .XX±0.10   | .XX°±2° | DRAWN<br>Cathy        | SCALE 5/2<br>A B SHEET 1/1 |
|  |         | PROJ.                 | REV A                      |

1 2 3 4 5 6 7 ST-DR-009A

|     |            |                         |       |
|-----|------------|-------------------------|-------|
| REV | DATE       | D E F G<br>MODIFICATION | DRAWN |
|     | 2011/10/17 |                         |       |



(It can be used for the wire OD from  $\varnothing 0.98 \sim \varnothing 1.05$  )

|   |         |                       |                            |
|---|---------|-----------------------|----------------------------|
| DIMENSION IN mm (Inch)<br>TOLERANCE UNLESS<br>OTHERWISE SPECIFIED |         | MATERIAL<br>PC        | DWG NO.<br>PLUG INSERT-040 |
| .X±0.20   | .X°±5°  | TITLE<br><b>01038</b> |                            |
| .XX±0.10  | .XX°±2° |                       |                            |
|   |         | DRAWN                 | SCALE 5/1<br>SHEET 1/1     |
|   |         | PR.                   | REV G                      |