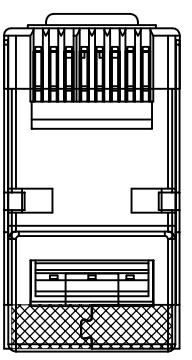
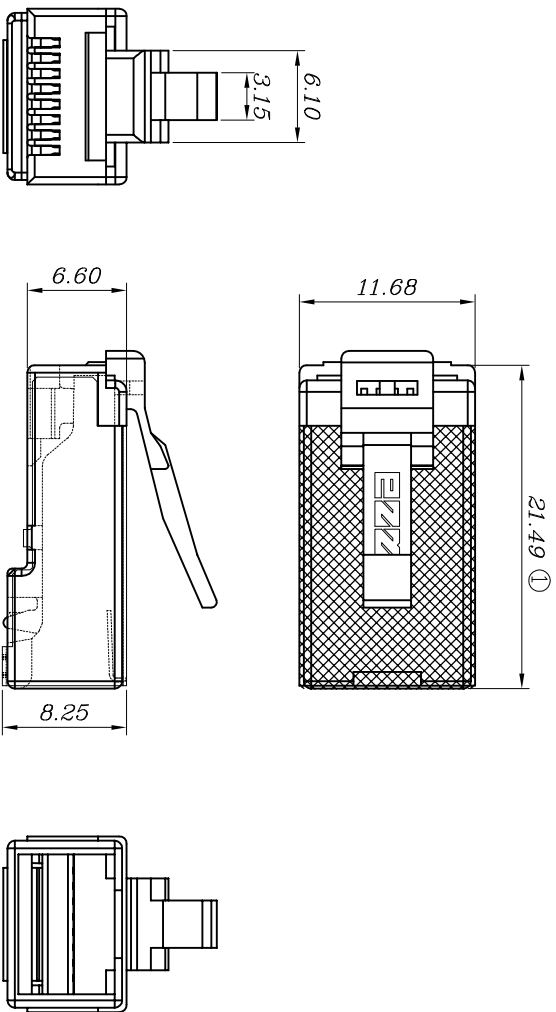


REV	DATE	MODIFICATION	DRAWN
	2013/10/16		A

SPECIFICATIONS
 1. ELECTRICAL:
 UL APPLICATIONS: 250 VOLTS AC MAX. AT 2 AMPS.
 DIELECTRIC WITHSTANDING VOLTAGE: 1000 VOLTS AC. 60 SEC.
 INSULATION RESISTANCE: 500 MΩ.
 CONTACT RESISTANCE: 20mΩ MAX.
 OPERATING AMBIENT TEMPERATURE: -20°C ~ 75°C.
 2. MECHANICAL:
 STRAIN RELIEF: 20 POUND MIN.
 DURABILITY: 1200 MATING CYCLES.
 3. MATERIAL:
 HOUSING: POLYCARBONATE, UL94V-0 OR UL94V-2.
 COLOR: TRANSPARENT OR OTHER COLOR ARE AVAILABLE.
 CONTACT BLADE: COPPER ALLOY.
 GOLD PLATING: 3u"-50u" ARE AVAILABLE.
 SHIELDED SHELL: COPPER ALLOY.
 4. USAGE:
 SUITABLE FOR STRANDED & SOLID WIRE 23AWG ~ 26 AWG.



BLADE:	E	EB	Y	YB	Z	A	AE	AB	EC
Drawing									
Mark					✓				
GOLD PLATING	3Mu"	3u"	6u"	15u"	30u"	50u"	Mark	ROUND	FLAT
Mark					✓				



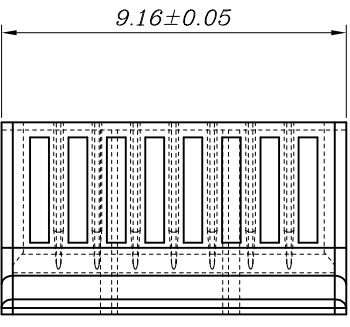
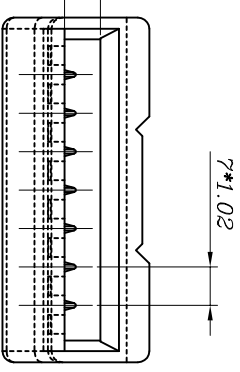
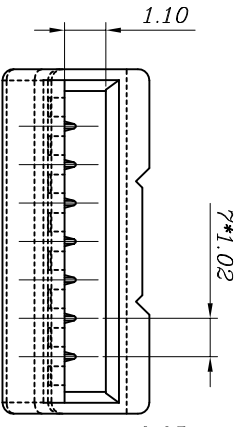
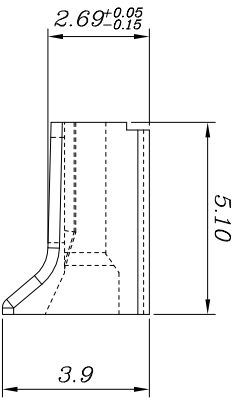
DIMENSION IN mm (Inch)		材 质		图 号	
TOLERANCE UNLESS OTHERWISE SPECIFIED		PC		PLUG-374-EZZ-0001	
X±0.20	.X°±5°				
.XX±0.10	.XX°±2°	名称		01039 STP6A C6R5Z50V2SIL EZZ	
Approval	Checked	制 图		比 例	
		Zach		2/1	
		Prep		张 数	
				1/1	
				更 改	
				REV	
				A	

1 2 3 4 5 6 7

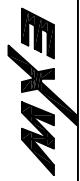
1 2 3 4 5 6 7

ST-DR-009A

更改 REV	出图日期 DATE	设计内容 MODIFICATION	修改 DRAWN
	2013/11/06		



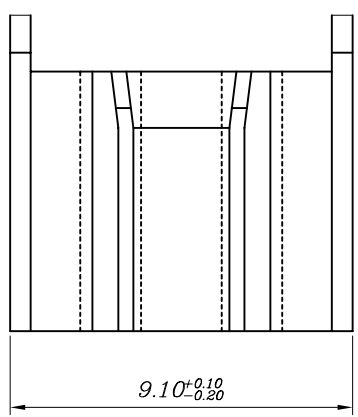
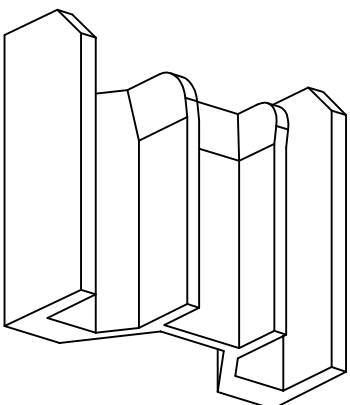
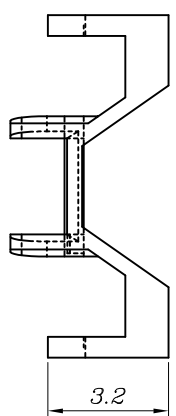
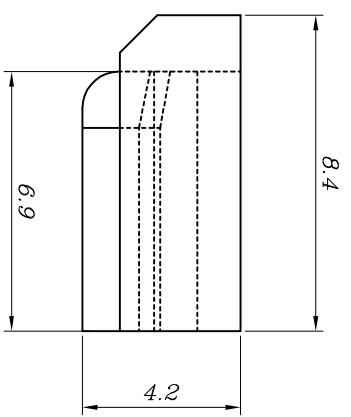
(It can be used for the wire OD from $\varnothing 0.96 \sim \varnothing 1.02$)



DIMENSION IN mm (Inch) TOLERANCE UNLESS OTHERWISE SPECIFIED		材 质 MATERIAL	图 号 Dwg NO.
X±0.20	.X°±5°	PC	PLUG INSERT-377
.XX±0.10	.XX°±2°	名称 TITLE	01039 STP6A C6R5Z50V2SIL EZZ
审核 APPROVAL	核对 CHECKED	制图 DRAWN	比例 SCALE
		Zach	5/1
			张数 SHEET
			1/1
			更改 REV
			A

1 2 3 4 5 6 7 ST-DR-009A

更改 REV	出图日期 DATE	设计内容 MODIFICATION	修改 DRAWN
	2013/11/06		EZZ



EXW		DIMENSION IN mm (Inch)		材 质		图 号	
TOLERANCE UNLESS OTHERWISE SPECIFIED		MATERIAL		PC		Dwg NO	
X \pm 0.20		.X \pm 5°		名称		PLUG INSERT-378	
.XX \pm 0.10		.XX \pm 2°		TITLE		01039 STP6A C6R5Z50V2SIL EZZ	
审核 APPROVAL	核对 CHECKED	制图 DRAWN	比例 SCALE	张数 SHEET	修改 REV		
		Zach	5/1	1/1	A		

1 2 3 4 5 6 7 ST-DR-009A