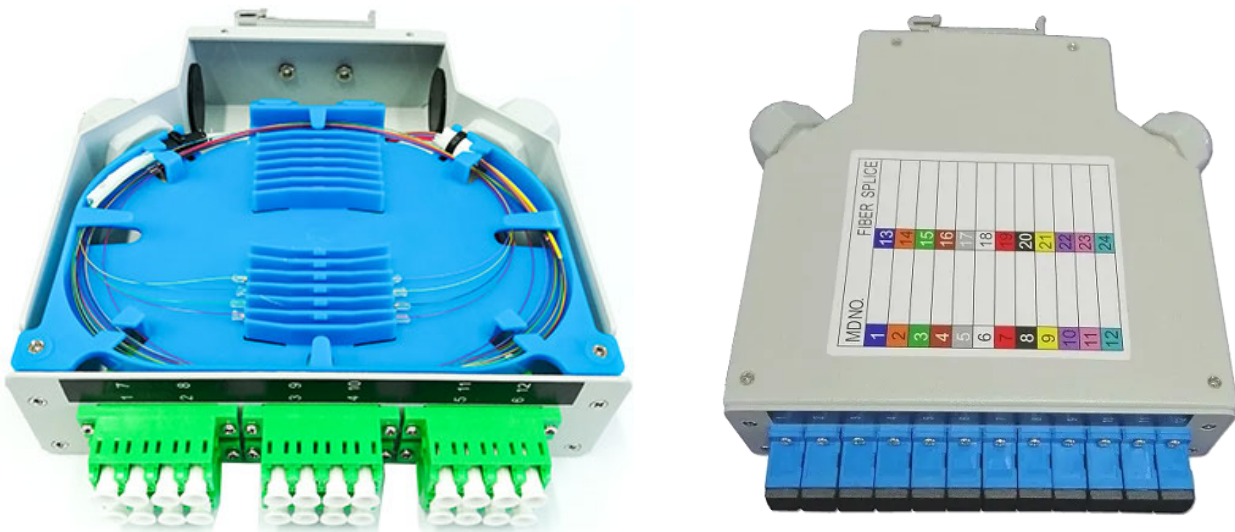


DIN rail distributor 015VU

015VU is a DIN rail mounted fiber optic terminal box that used for fiber connection and distribution. It is made of aluminum, inside with plastic splice tray, light weight, good to use.



Features

- Reasonable design, aluminum box, light weight
- Electrostatic powder painting, grey or black color
- ABS plastic blue splice tray, rotatable design, compact structure
- Max. 24 fibers capacity
- FC, ST, LCQ, SCD ... different adapter port available
- DIN rail mounted application

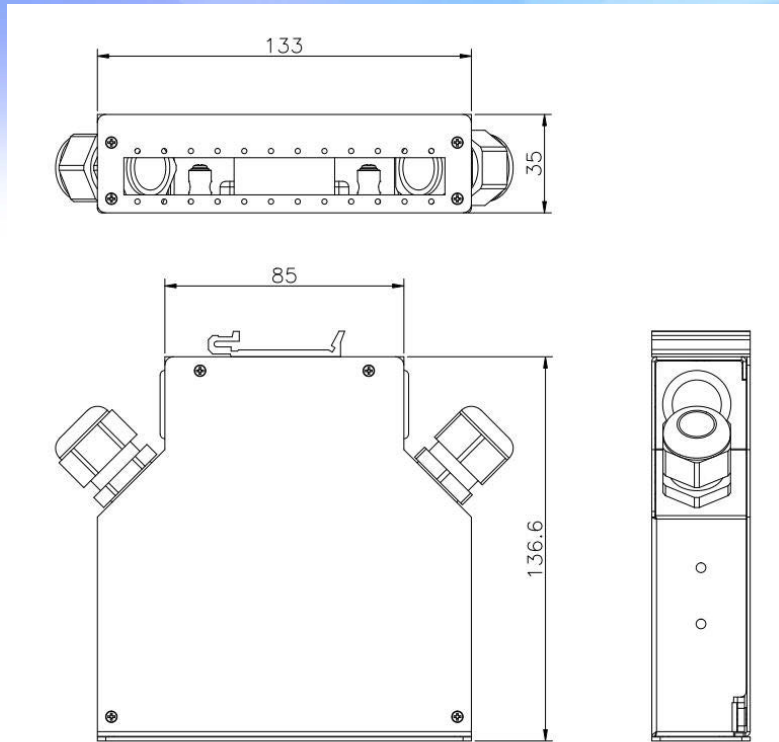
Specification

Model	Dimension(mm)	Material	Adapter port	Splicing capacity	Cable port	Application
015VU	133x136.6x35	Aluminum	6 SC Duplex or 6 LC QUAD, optional plate for 8 ST/FC (015VZ) available	Max. 24 fibers	4 ports	DIN rail mounted

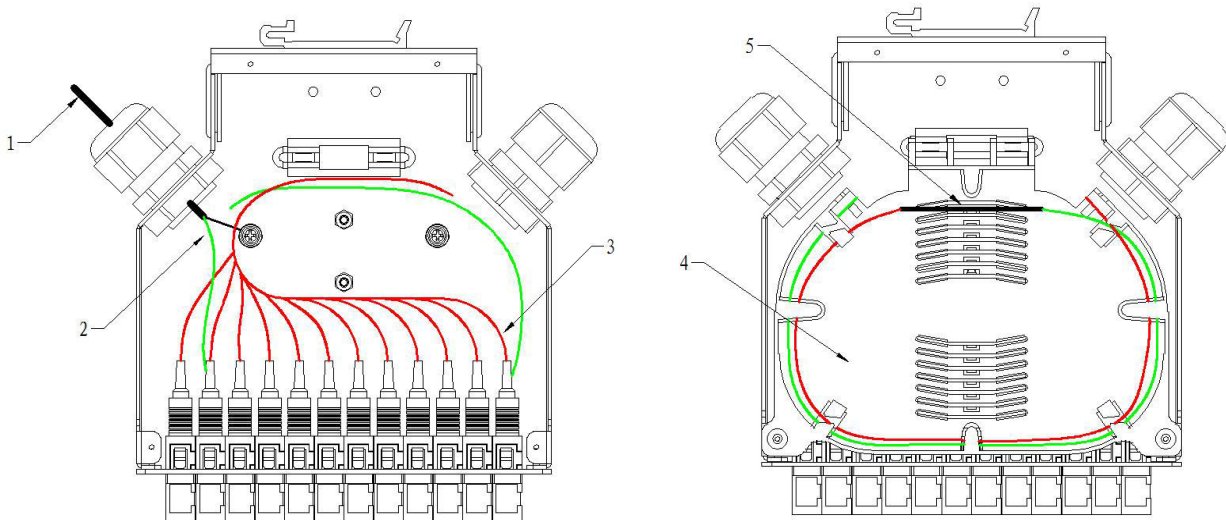
Accessories

Item	Name	Specification	Unit	Qty
1	Heat shrinkable protection sleeves	45 x 2.6 x 1.2mm	pcs	As per using capacity
2	Cable tie	3 x 120mm white	pcs	2

Drawings (mm)



Cable management drawings



1. Fiber optic cable
2. stripping out optical fiber
3. fiber optic pigtail
4. splice tray
5. heat shrinkable protection sleeve