

Universal Closures FDM

for Telecommunication and Power cables up to 1 kV



Description

Application

The universal closures FDM are designed to protect straight or branch splices on telecommunication - or powercables up to 1 KV from environmental influences. The closures can be assembled on all common copper cable types. It is suitable for cut cables and can be directly buried in the ground or installed in manholes and on aerial cable installations between and on poles and are also useable for wallmounting.

Features

- Designed to protect straight or branch splices
- Suitable for aerial, buried and underground applications
- Possibility of re-entering and re-usable
- Absolutely seal - IP 68
- Tested due to newest EU Spec EN 50.393:2006
- Absolute resistance against chemicals and non-corrosives

Design

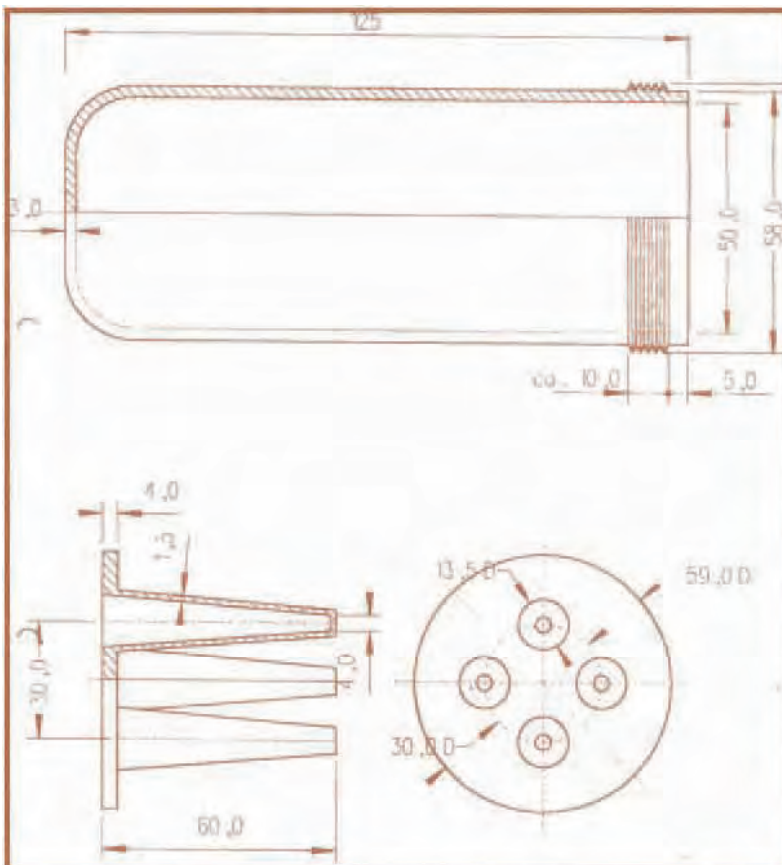
FDM's are a only three part productline - the main parts are the can, the lid and the rubber end cap. Cable ties, lubricant and a knife guarantee the easy installation without any other tool.

Dimensions

Type	Cable Diameter
FDM 1	4 x 5-14 mm
FDM 2	4 x 7-25 mm
FDM 3	1 x 10-42 mm 1 x 10-33 mm 6 x 8-26 mm

Technical Data:**Dimensions of FDM Closures:**

FDM 1	Length total after installation:	160 mm
	Diameter max	70 mm
FDM 2	Length total after installation:	285 mm
	Diameter max	100 mm
FDM 3	Length total after installation:	355 mm
	Diameter max	205 mm

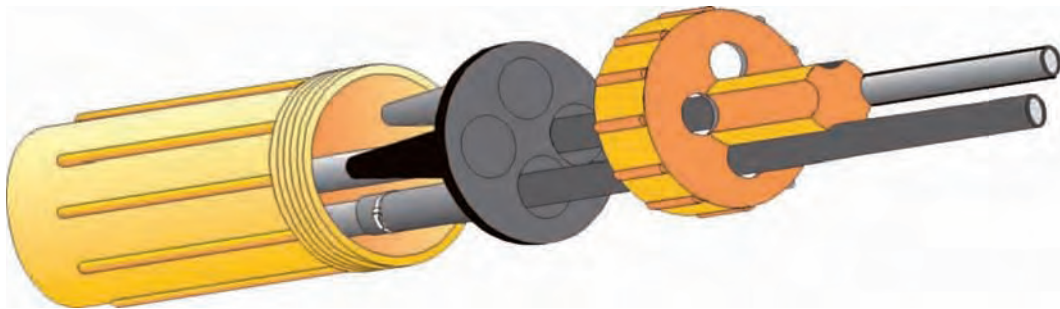
**All Types include:**

Closure Body, Lid, Rubber End Cap
and all necessary accessories for installation
Connectors are not included

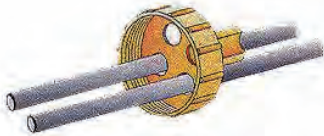
Installation:

The Installation-instruction enclosed in the closurepackage shows all necessary and important details for secure installation see below instruction for FDM 1 and FDM 2

(Instruction for FDM 3 included in product-package)



Insert cleaned cables through the openings of the closure – lid



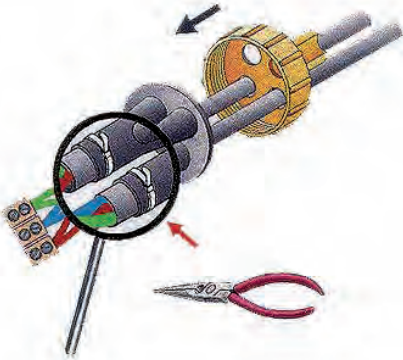
Cut top of rubber end cap (approx.) at half of the cable diameter



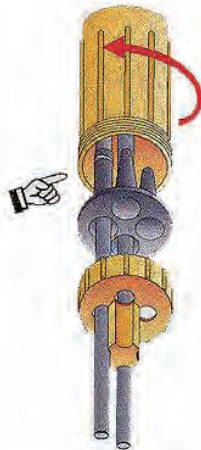
Pull cleaned cables through cutted rubber end cap



Tighten cables ties as near to the openings as possible



Lock closure body and lid with needed energy to seal the closure



Tighten cableties for strainrelief of installed cables

