

Features

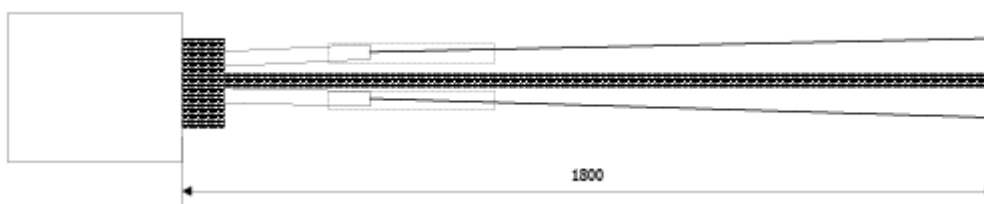
- for aerial and underground applications
- an additional 35mm hole made through the plastic frame for easier access from one side to another
- innovative modular design
- complete scope of supply, ready for splicing
- easy fiber management for looping through resp. uncut fibers
- enough space for surplus fibers
- re-opening and sealing without special tools
- suitable for uncut cables
- cost effective
- rugged and compact design

Možnosti / Configuration

	število kaset number of trays	12 zvarov na kaseto 12 splices per cassette	24 zvarov na kaseto 24 splices per cassette
	1	12	24
Že vgrajeno v spojko / Scope of Supply	2	24	48
	3	36	72
	4	48	96
	5	60	120
	6	72	144
	7	84	168
	8	96	192
	9	108	216

Cable and Port Preparation

Prepare the cable according to the picture. Mark the cutting point on the cable at the length 1800mm. Remove the sheath of the cables from the marked point by stripper.

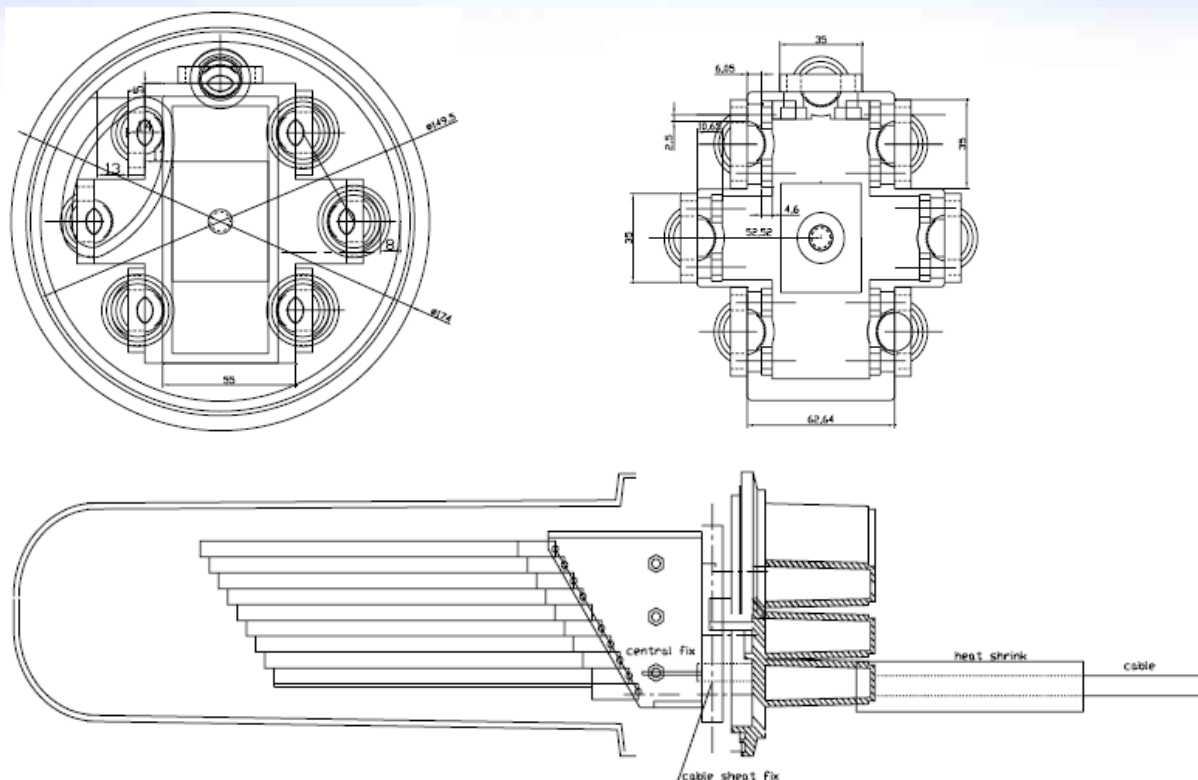


Unlock the plastic hoop and separate the base and the body of the closure. Open required ports with suitable tool. Insert the prepared cable into heatshrink. Enter the cables into the opened ports of the closure.



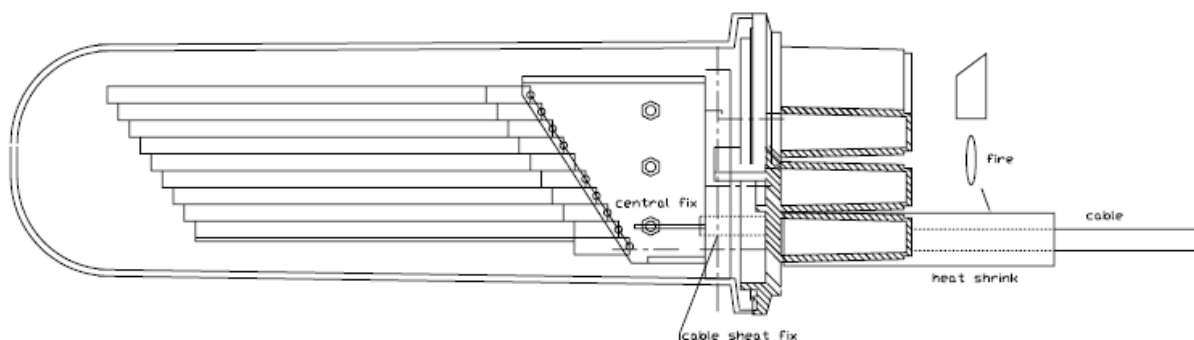
Cable retention

Fix the cables in to the base using cable clamps. Put the reinforcement or central strength member into the whole of the Inox bolt. Pull the reinforcement toward closure base plate and tighten the screw. Cut the protruding reinforcement approx. 10mm near the bolt.



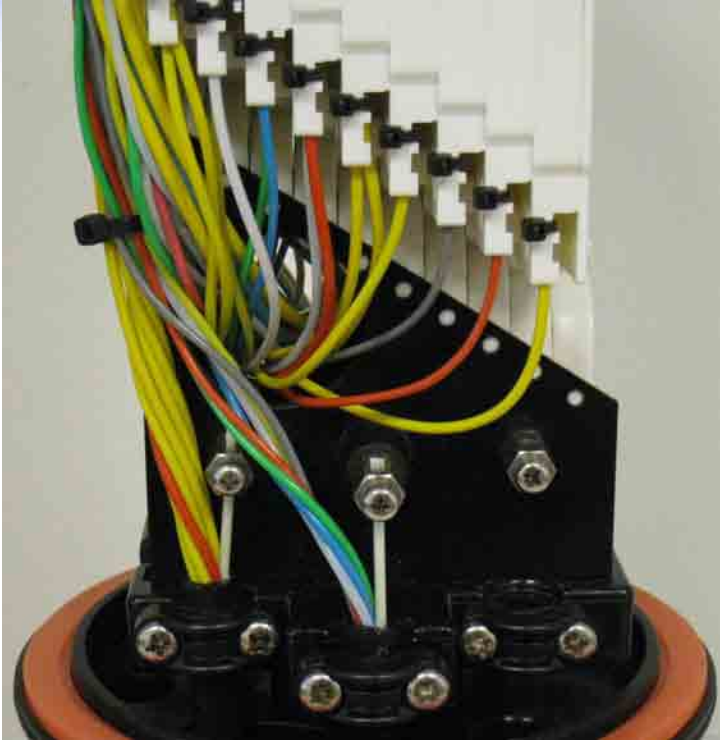
Mounting Shrink Tube

Move heatshrink tube over and the cable into the port. For heat protection put foil over the adjacent ports. Hold the cable and the heatshrink in the right position and heat the heatshrink with a fan preferably even over the length and the perimeter. Do not heat too long over the port, because the heatshrink can move toward the cable. Stop heating if the glue leaks out of the heatshrink tube. Shrink all used ports.

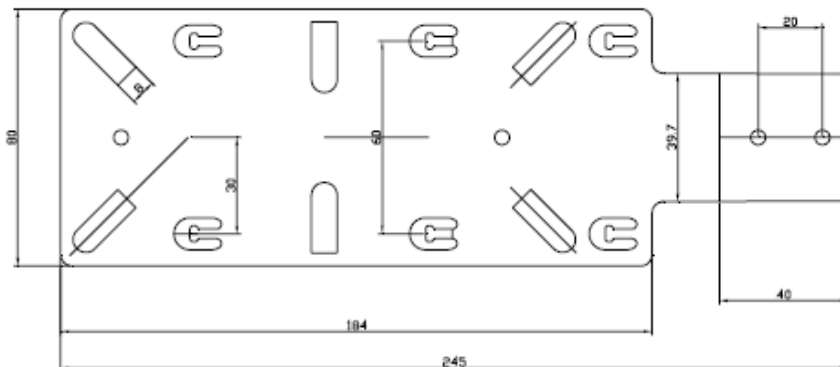


Feeding Loose Tubes

Use protective tube to enter grouped fibers into the splice tray, or use loose tubes of the cable as shown below. Put the loose tubes entering from the bottom port with one loop. Put one loose tube into the cassette according to the picture, fix it with cable ties and feed the fibers in the inner channels.

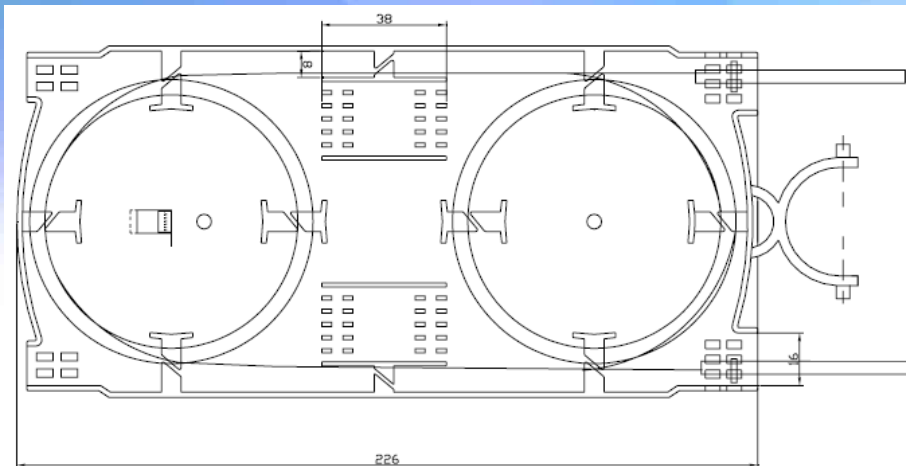


The sheet of splice tray can be used for the loose tubes protecting and grouping. Also surplus tubes/fibers can be weathered or branched inside the sheet of splice tray.



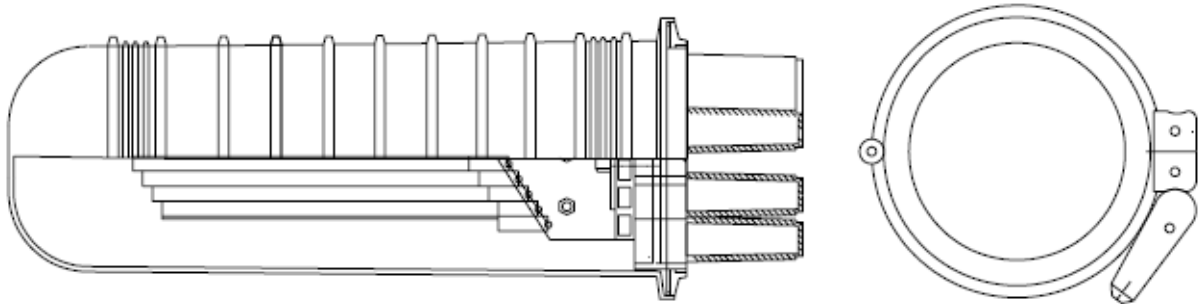
Installation of Fibers

Stripped fibers are now operated inside the splice tray. The splice tray/cassette has integrated 2 splice holders, each splice holder module can accept up to 12 standard splice protectors 40 mm long, up to 6 splice protectors in each layer. After fiber splicing operation, please put the splice cassette cover onto the splice tray for protecting fibers.



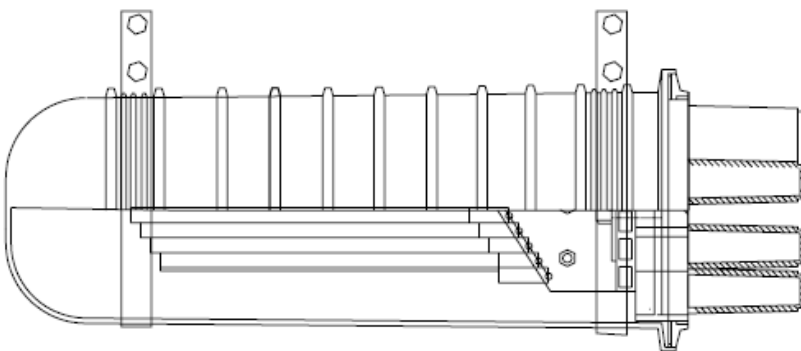
Final steps

Fix a drier at the splice tray holder by adhesive tape to keep the inside of the closure dry. Mount the rubber sealing ring to the base of the closure. Keep rubber sealing ring clean. Put the cover to the base of the closure and lock the plastic hoop.



Fixing of the closure

Use enclosed metal hoops for fixing the closure.



Vsebina dobave (015Y1)






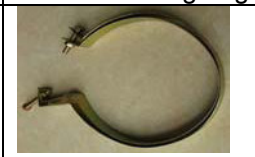
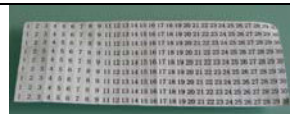




Ohišje s pokrovom in veznim obročem, tesnilna guma, montažni okvir, 2 kaseti, pokrov za kasete, sušilo, 4 toplo skrčne cevi za kable od 8 do 21mm, 1 toplo skrčna cev za ovalni vhod, zaščitne cevke za vlakna, klinasti vložek za ovalni vhod, dva kovinska obroča za montažo na steno ali drog, nalepke za označevanje, vezice, zaščitna folija, brusni papir in trak z ježi.

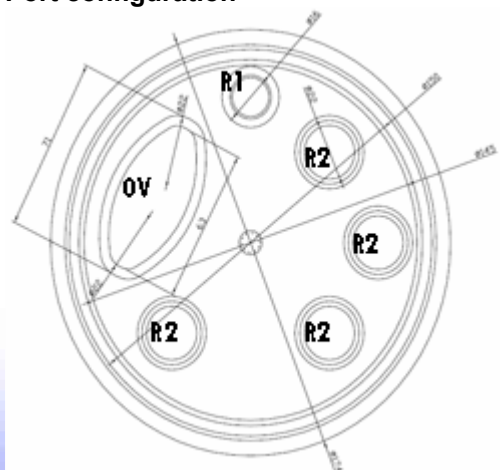
Dodatne kasete od 1 do 7 (015Y2) z vgrajenimi držali za ščitnike zvara se naroča posebej.

Scope of supply (015Y1)

Base enclosure with locking ring, Sealing ring, Cassette support, 2 Splice Cassettes, Cassette cover, Drying agent, 4 heat shrink tubes for cable 8-21mm, 1 heat shrink tube for oval cable entry port, Fiber Protective Tubes, Branch clip, Metal hoop for mounting at poles or walls, Label paper, Cable fix ties, Tinfoil papers, Sand papers, and Splice trays Fixed band.

Up to 7 additional splice cassettes with integrated splice holders must be ordered separately.

		
Branch clip	Protective tube	Rubber sealing ring
		
Heat shrink tube	Drier	Metal hoop
		
Label paper	Cable ties	Tinfoil paper
		
Sand paper	Splice tray fixed band	

Port configuration

Cable entry	Qty	Inner \varnothing (mm)	Length (mm)	Suitable cable \varnothing mm)
R1	1	16	60	8-15
R2	4	22	60	8-21
OV	1	63 x 28	60	2 x (8-25)

Technical data

Dimensions (DxL)	∅150 x 540mm
Materials	closure body thermoplastic PP; metal hoop steel; splice cassettes and fiber management thermoplastic ABS/PC flame-retardant; strain relief points Inox; sealing ring rubber
Weight	Approx. 3 kg
Colours	closure body black (RAL 9005); metal hoop galvanised steel; splice cassettes and fiber management signal white (RAL 1003)
Bending radius limitation	35mm for fibers
Installation temp. range	-5 up to +45°C
Operating temp. range	-40 up to +60°C
Atmospheric Pressure	70kPa~106kPa
Protection class	IP 68

Mechanical strength

Load (1 min) 2000 N/m² at centre of the enclosure

Impact (3 times) 16 N.m

Tight from -40°C to +65°C

Tightness with cable Strain (15 min) 800 N

Shearing/bending (10 times) Deflection 45° or a max. of 150 N bending force

Torsion (10 times) ±90° rotation angle or a max. torque of 50 Nm,

Temperature changes -40°C to +65°C, 10 times

Podatki za naročilo / Ordering information

Koda / Item	Ime izdelka / Description
015Y1	kabelska spojka s priborom, vgrajeni 2 kaseti / splice closure with 2 cassettes and accessories
015Y2	dodatna kasetna za 12-24 zvarov / additional splice cassette for 12-24 splice protectors