

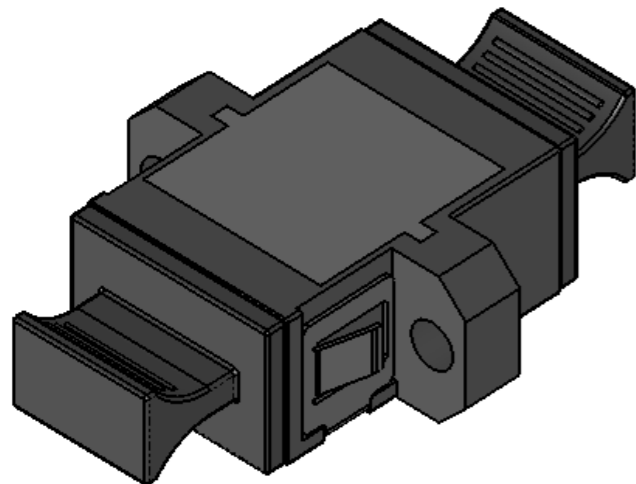
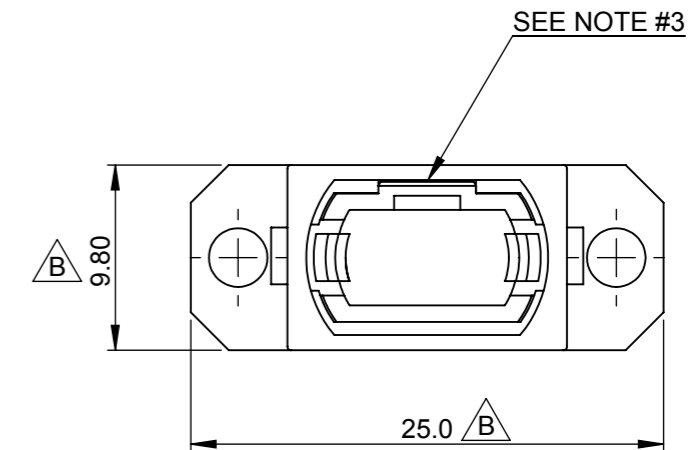
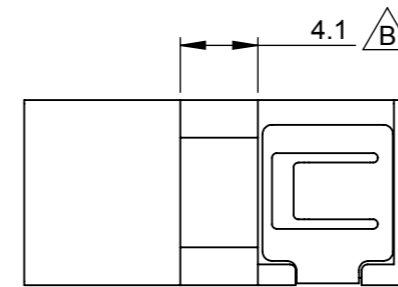
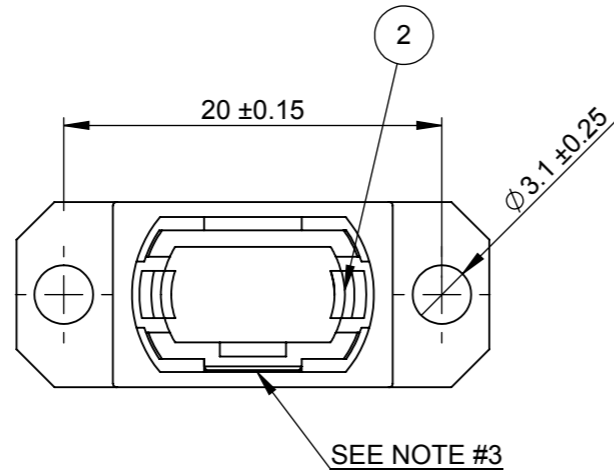
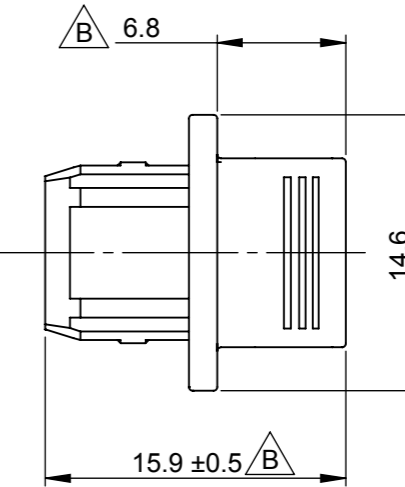
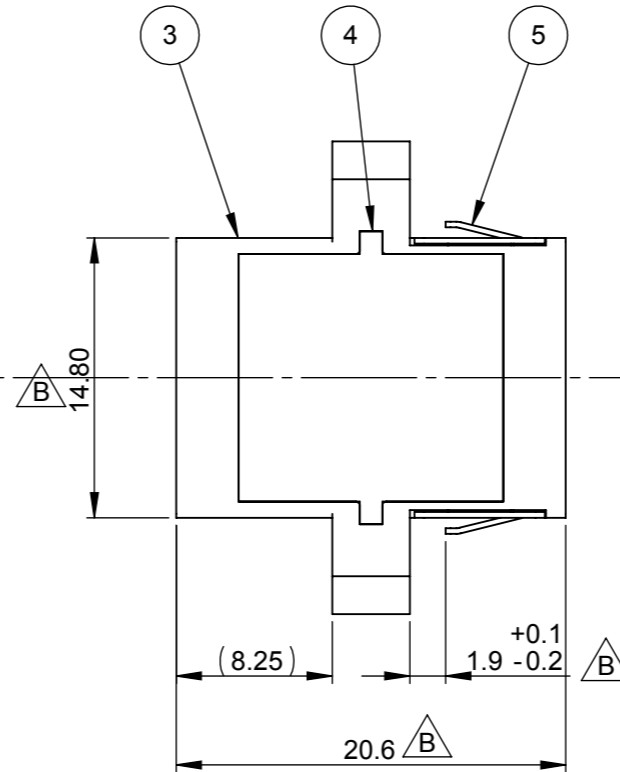
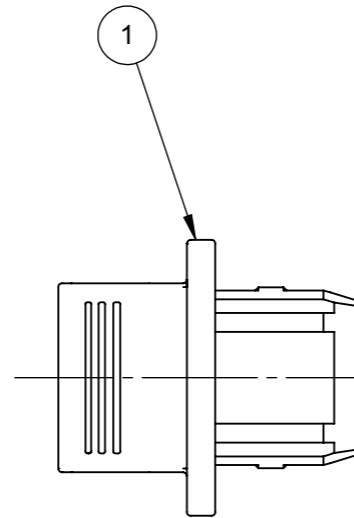
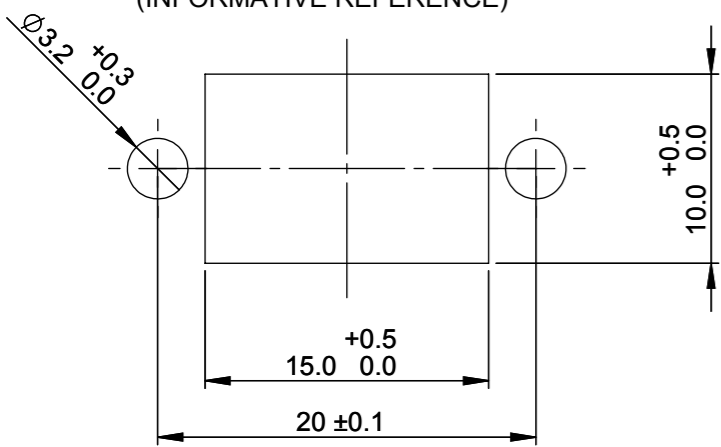
- NOTES:
 1. MATERIALS COMPLIANT TO RoHS, REACH SVHC AND UL 94 V-0
 2. INTERFACE DIMENSIONS COMPLIANT TO IEC 61754-7 (TYPE MPO CONNECTOR FAMILY)
 3. KEY SLOT ALIGNMENT SPECIFIED FOR CORRECT FIBER MATING.

REVISIONS				
ZONE	REV.	DESCRIPTION	DATE	APPROVED
	A	INITIAL RELEASE	10/7/2009	GNIADEK
	B	HKECN-0081-11: DIMENSION UPDATED; COLOR TABLE ADDED; BOM UPDATED; NOTES UPDATED	9/14/2011	KENJI IIZUMI

COLOR TABLE	
SENKO P/N	COLOR
777-1	BLACK
777-2	AQUA
777-3	HEATHER VIOLET
777-K	GRAY, ALIGNED KEY



MOUNTING HOLE DIMENSIONS
 PANEL THICKNESS 1.7mm MAX.
 (INFORMATIVE REFERENCE)



CONFIDENTIAL

Category: **C**

Information on this document is proprietary and may not be used, copied, reproduced, or disclosed without the written consent of SENKO Advanced Components, Inc.

UNLESS OTHERWISE SPECIFIED:
 DEBURRS ALL SHARP EDGES.
 DIMENSIONS ARE AFTER FINISH

TOLERANCES: .X ± 0.2
 .XX ± 0.1
 .XXX ± 0.05
 ∠ ±

ITEM NO.	PART NUMBER	DESCRIPTION	QTY.
1	SENADMDC016	MPO ADAPTER DUST CAP, PP	2
2	SENADMMP002	MPO ADAPTER HOOK, PEI	2
3	SENADMMP001-A	MPO ONE PIECE ADAPTER HOUSING WITH FLANGE, PEI	1
4	SENADMMP003	MPO ADAPTER COVER, PEI	1
5	SENADMPT009	MPO ADAPTER METAL CLIP, SUS	1

Drawn By: ENG. DEPT. Checked By: GNIADEK Approved by: GNIADEK

All Dimensions in mm Date: 10/7/2009 Scale: Free

Material: SEE ABOVE

SENKO Advanced Components Name: 777-X, MPO ONE PIECE ADAPTER WITH FLANGE

Dwg.No: C-EN09-119 Rev. B Sheet 1