

Wrapped Polyester Pillow-Tip™ & Diamond™ Swabs

Product# 51121, 52121, 51353, 513531I

Product Description

Coventry Wrapped Polyester Pillow-Tip Swabs and Diamond Swabs consist of polyester knit fabric which is either thermally bonded to the handle or held in place using a shrink tube. These swabs are low in nonvolatile residue, ionic and particulate contamination, while providing exceptional strength and solvent resistance. The Diamond Swab uses a tubular knit fabric head to create "The Cleanest Swab in the World". This Swab is designed for ultra-critical applications where contamination is of the utmost concern.

- No edge seamless head design on all swabs
- High strength, durable head
- Low particulate and nonvolatile residue contamination
- No adhesives or binders are used in the construction
- Excellent solvent compatibility
- Available Aqua-Prime processed

Typical Applications

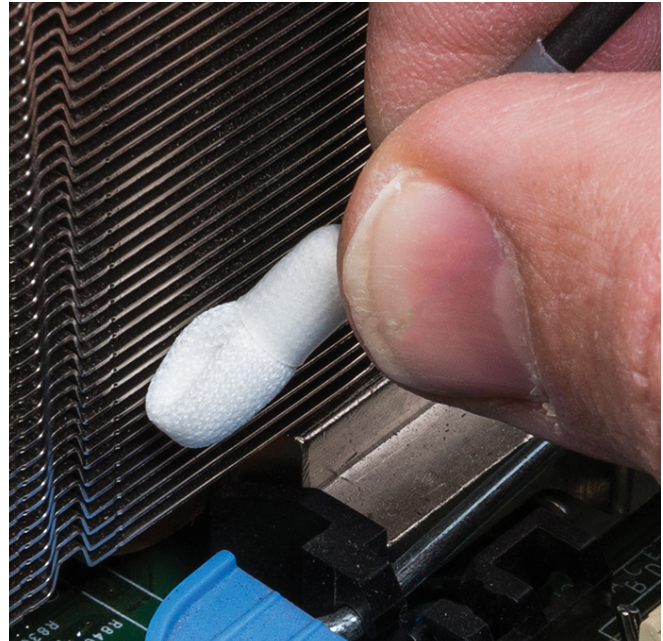
Coventry Wrapped Polyester Pillow-Tip Swabs and Diamond Swabs can be used to:

- Clean high end disk drive components
- Clean surfaces for the aerospace industry
- Micro mechanical cleaning
- Validate cleanliness of manufacturing
- Surfaces for the Pharmaceutical and Biotechnical Industries

Compatibility

Polyester Fabric Heads and Glass Filled Nylon

Handles are compatible with most common solvents such as isopropyl alcohol, methanol and dilute or weak acids, as well as ketones such as acetone or methyl ethyl ketone.



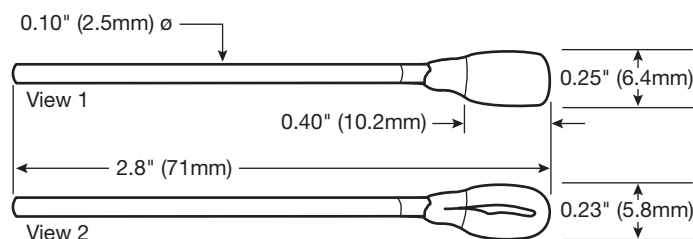
Availability

Pillow-Tip Swabs

- 51121** 2.80 " (7.1 cm) Glass Filled Nylon Handle, 0.23" (5.80 mm) Wrapped Polyester Head, 25/ bag
- 52121** 6.3 " (16.0 cm) Glass Filled Nylon Handle, 0.23" (5.90 mm) Wrapped Polyester Head, 25/ bag

Diamond Swabs

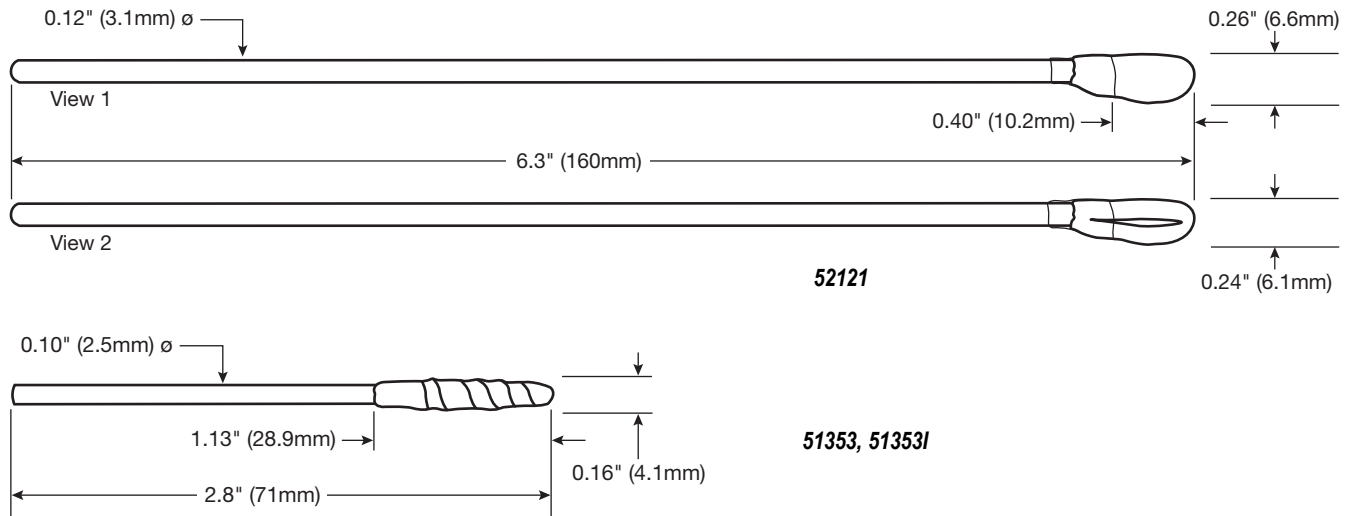
- 51353** 2.80 " (7.1 cm) Glass Filled Nylon Handle, 0.12" (3.0 mm) at tip, 0.18" (4.8mm) at head base, Tubular Knit Head, 100/ bag
- 51353I** 2.80 " (7.1 cm) Glass Filled Nylon Handle, 0.12" (3.0 mm) , 0.18" (4.8mm) at head base, Tubular Knit Head, 100/ bag, Aqua-Prime™ Processed



51121

Wrapped Polyester Pillow-Tip™ & Diamond™ Swabs

Product# 51121, 52121, 51353, 513531I



Wrapped Polyester Knit Fabric Swabs Test Data

Head Material	Wrapped Polyester Knit Fabric		
Swabs:	51121, 52121	51353	51353I
Particle Counts:			
0.5 - 1 um	3,463	718	269
1.0 - 2 um	1,605	182	93
2.0 - 5 um	206	27	17
5.0 - 10 um	29	23	3
10 - 25 um	14	21	7
Over 25 um	23	6	6
TOTAL	5,340	977	395
NVR (ug/swab)	none detected	none detected	none detected
Chlorides (ug/swab)	3	4	1

The swabs were tested by Particle Measurement Technology. All the swabs tests were done using the recommended practices of the Institute of Environmental Science, Swabs and Wipes Working Group.

Technical and Application Assistance

Chemtronics provides a technical hotline to answer your technical and application related questions. The toll free number is: 1-800-TECH-401

Note:

This information is believed to be accurate. It is intended for professional end users having the skills to evaluate and use the data properly. CHEMTRONICS does not guarantee the accuracy of the data and assumes no liability in connection with damages incurred while using it.

Chemtronics® is a registered trademark of Chemtronics. All rights reserved. Coventry™ and Econowipes™ are trademarks of Chemtronics. All rights reserved.