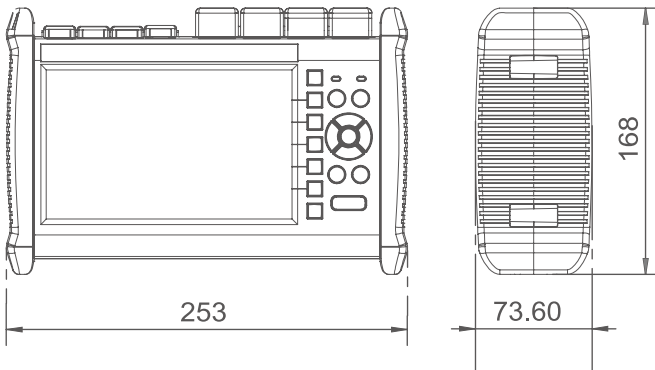




FH05000 Series OTDR

- Multiple dynamic range and wavelength combinations can be customized
- Support pass through 1x64 splitters
- With online light alarm function
- FLM (Fiber Link Map) function, icon display fiber events
- Remote control on PC software is available
- Multi languages selection



Items		Specifications
Pulse Width	SM	3ns, 5ns, 10ns, 20ns, 50ns, 100ns, 200ns, 500ns, 1μs, 2μs, 5μs, 10μs, 20μs
	MM	850nm: 3ns, 5ns, 10ns, 20ns, 50ns, 100ns, 200ns, 500ns, 1us 1300nm: 3ns, 5ns, 10ns, 20ns, 50ns, 100ns, 200ns, 500ns, 1us, 2us
Distance Range	SM	100m, 500m, 2km, 5km, 10km, 20km, 40km, 80km, 120km, 160km, 240km
	MM	850nm: 500m, 2km, 5km, 10km 1300nm: 500m, 2km, 5km, 10km, 20km, 40km, 80km
Sampling Resolution		Min 0.05m
Sampling Points		Max 128,000
Linearity		≤0.05dB/dB
Loss Threshold		0.01dB
Loss Resolution		0.001dB
Distance Resolution		0.01m
IOR Setting		1.2000~1.7000
Distance Accuracy		±(1m+test distance×3×10 ⁻⁵ +sampling resolution) (excluding IOR uncertainty)
Memory Aapacity		16G TF card